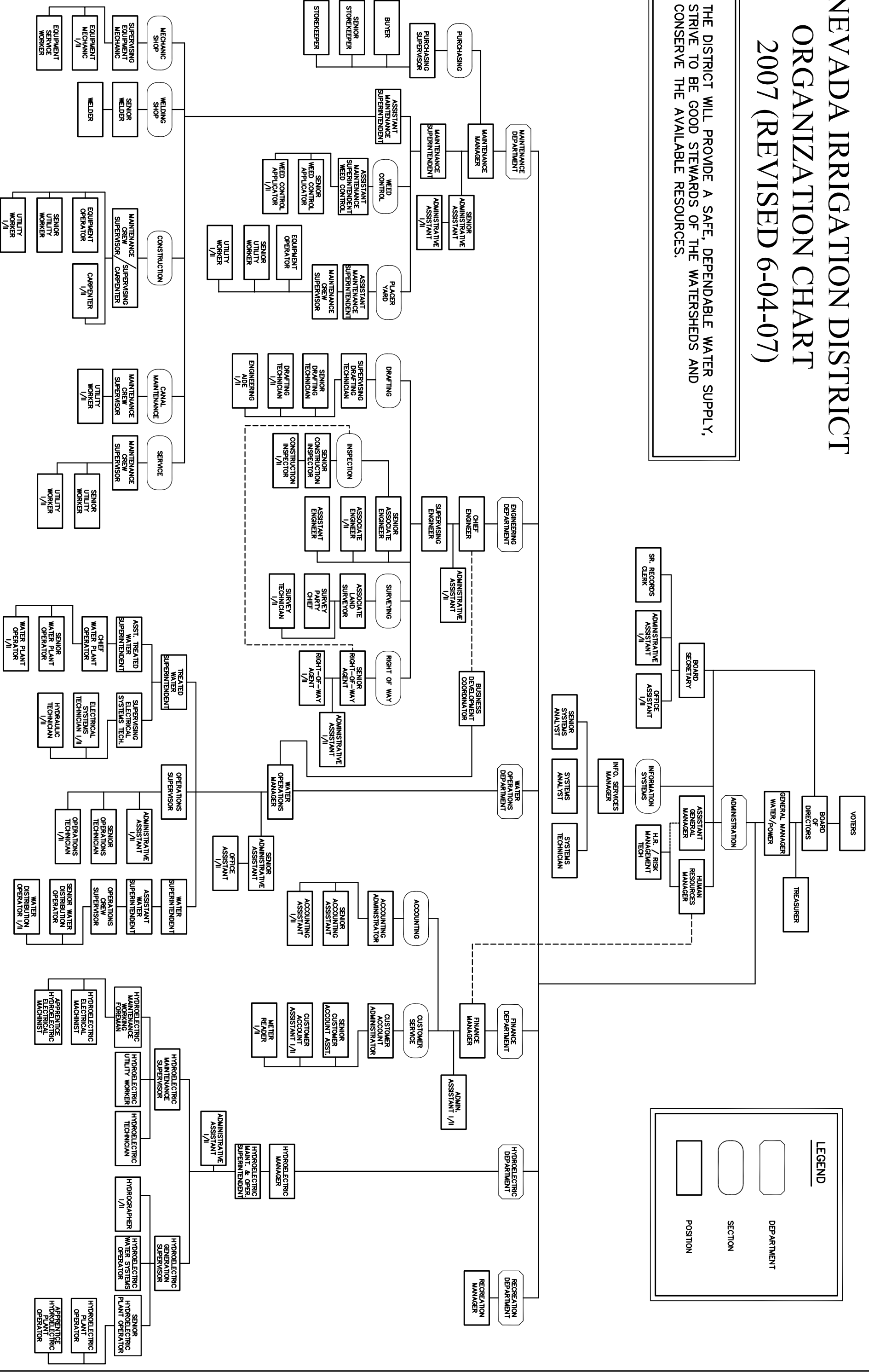
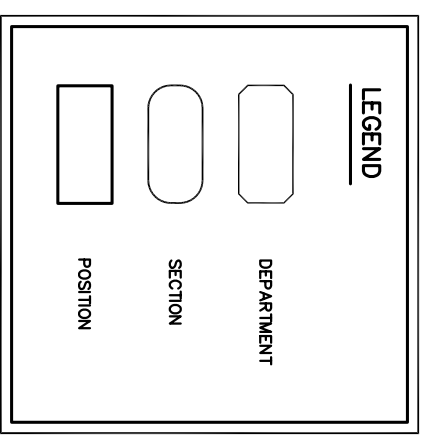


# NEVADA IRRIGATION DISTRICT ORGANIZATION CHART 2007 (REVISED 6-04-07)

THE DISTRICT WILL PROVIDE A SAFE, DEPENDABLE WATER SUPPLY,  
STRIVE TO BE GOOD STEWARDS OF THE WATERSHEDS AND  
CONSERVE THE AVAILABLE RESOURCES.



DESIGNED: L. DURAND	DATE: 3/1/98	JOB NO. 50300
RECOMMENDED BY: M. ROSE	DATE: 4/14/98	SERIAL NO. 4929
CHECKED: M. ROSE	DATE:	SHEET NO. 1 OF 1

INITIALS	REVISION	DATE	REV. NO.

**N.I.D.**  
NEVADA IRRIGATION DISTRICT  
NEVADA COUNTY — PLACER COUNTY  
GRASS VALLEY  
CALIFORNIA

**N.I.D. ORGANIZATION CHART**  
2007